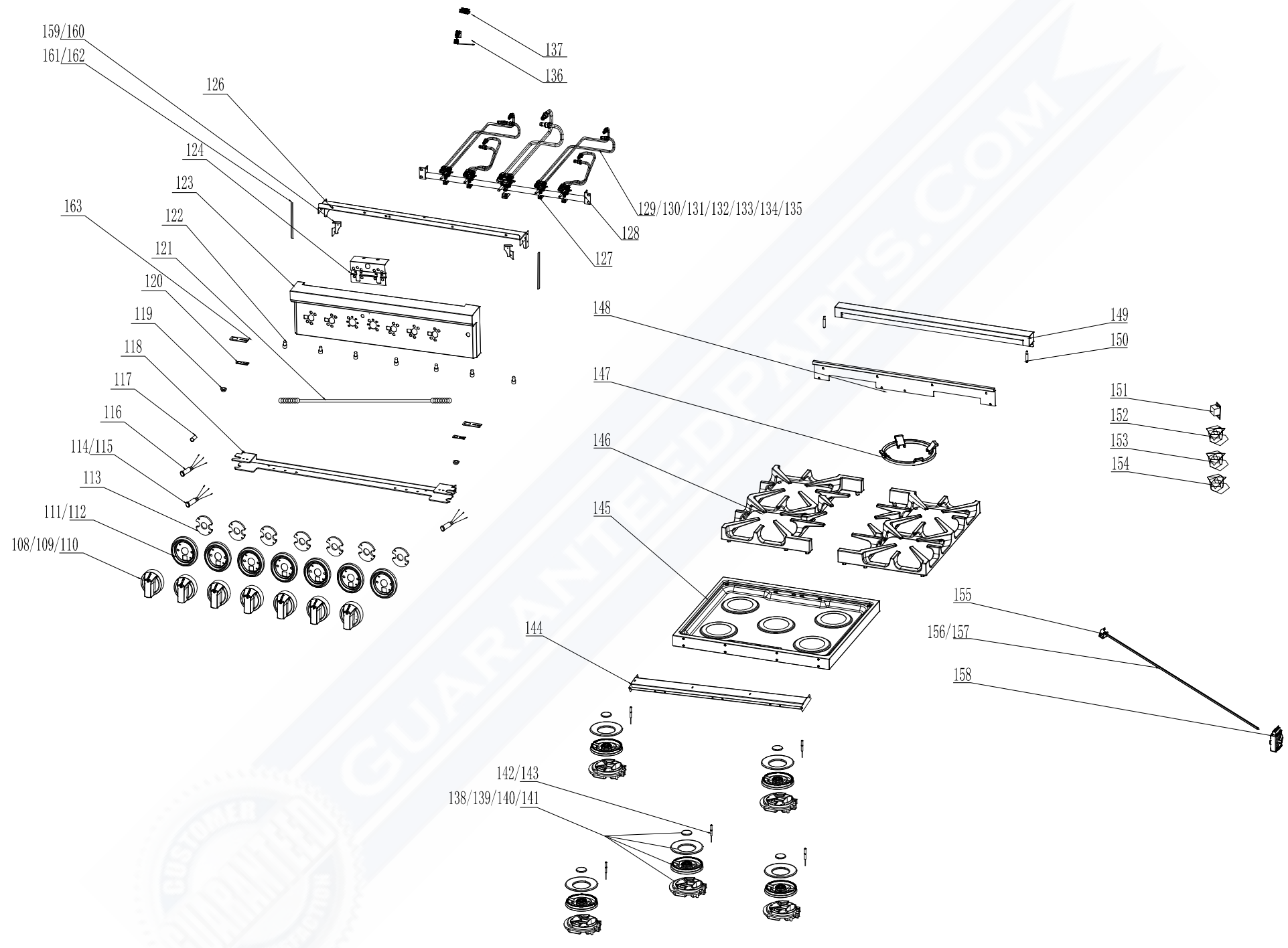
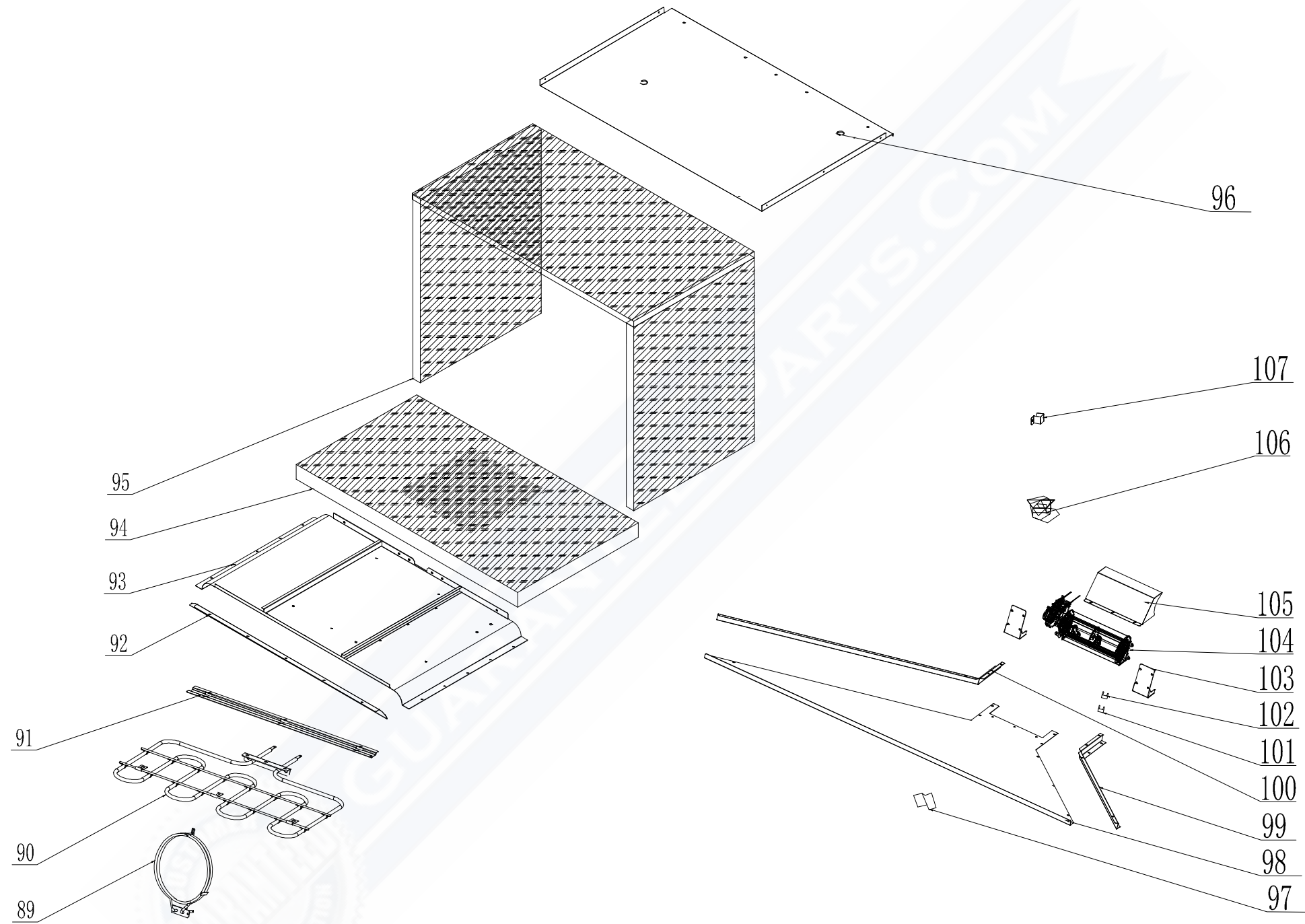


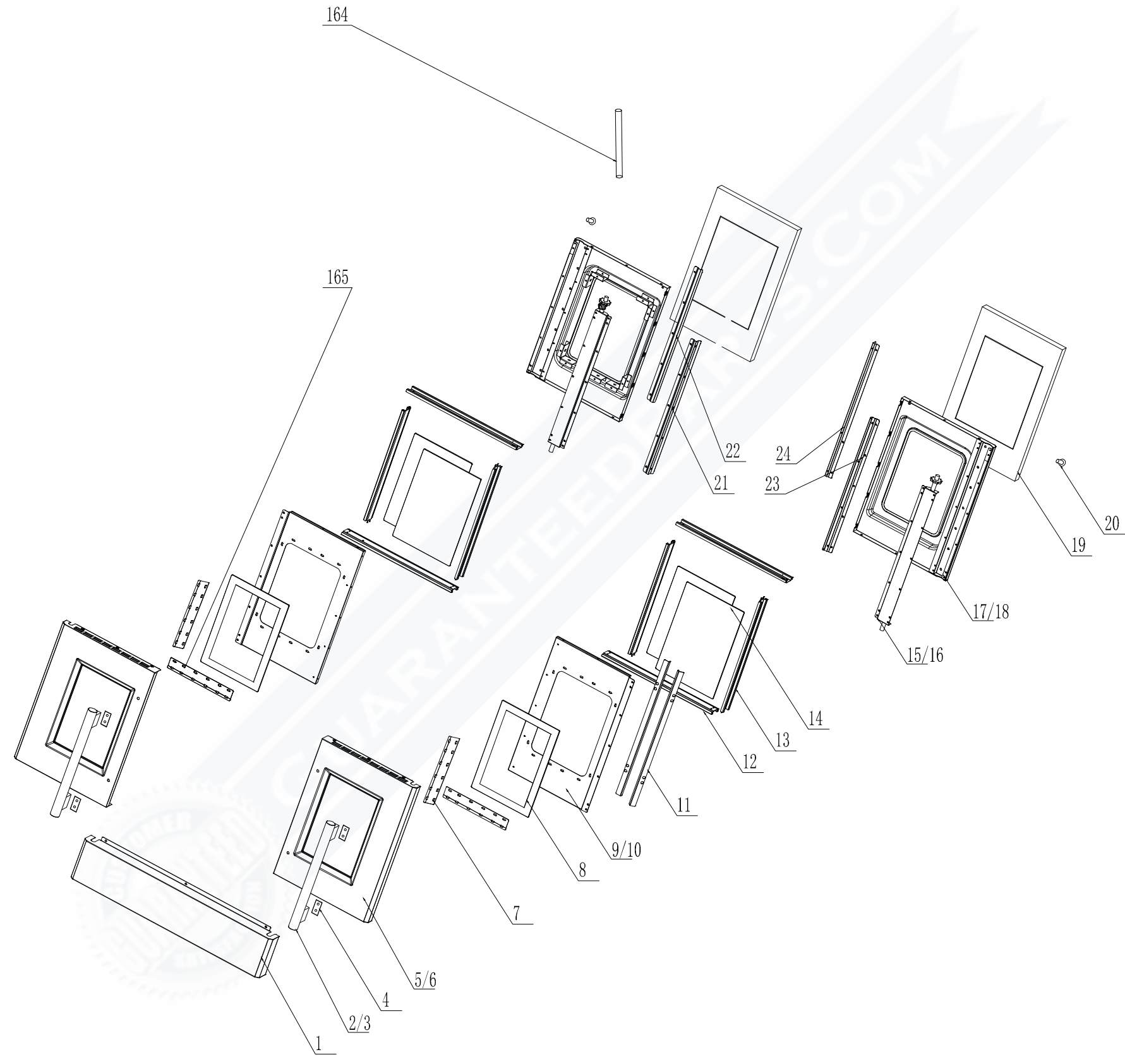
cooktop



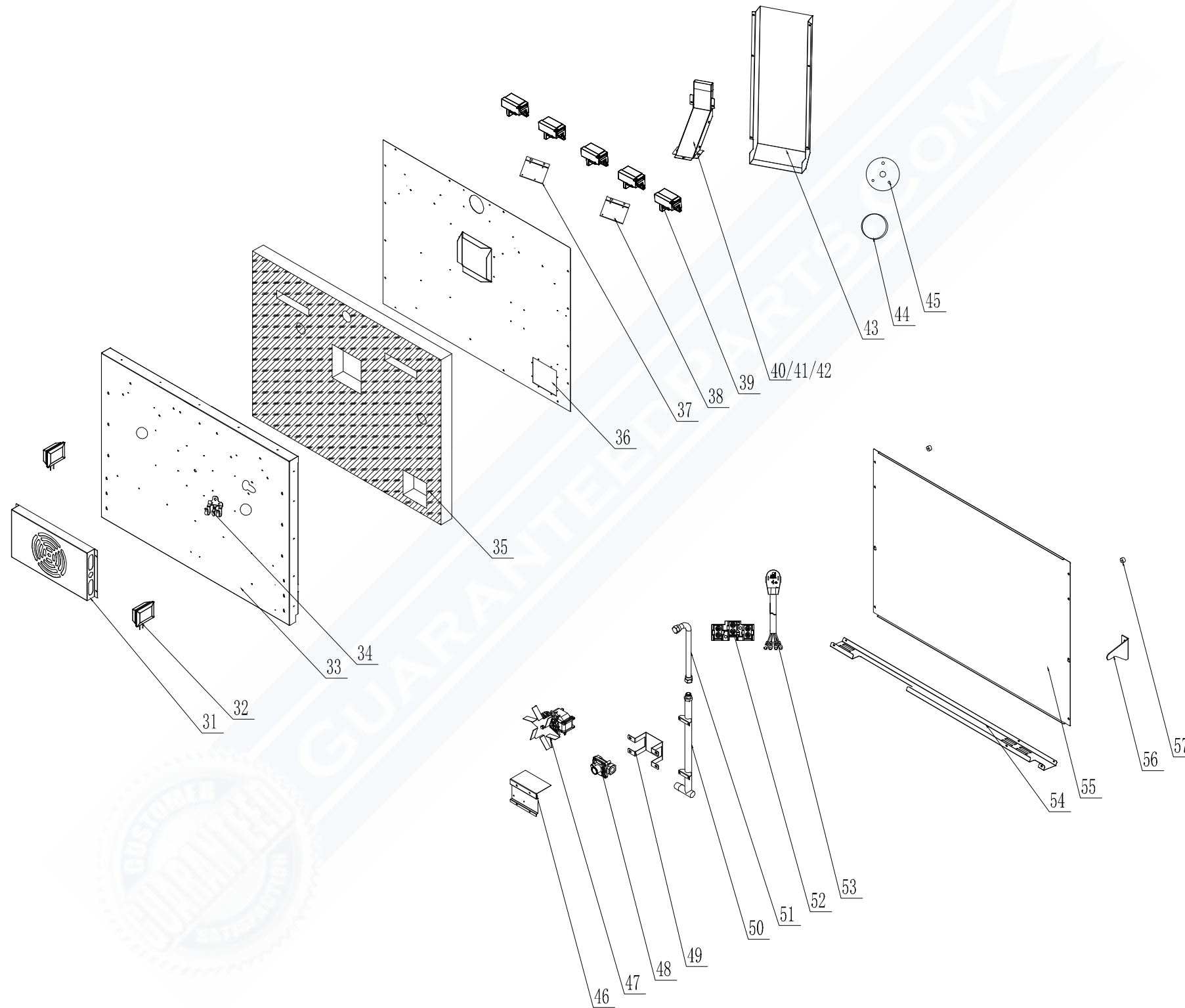
cavity top



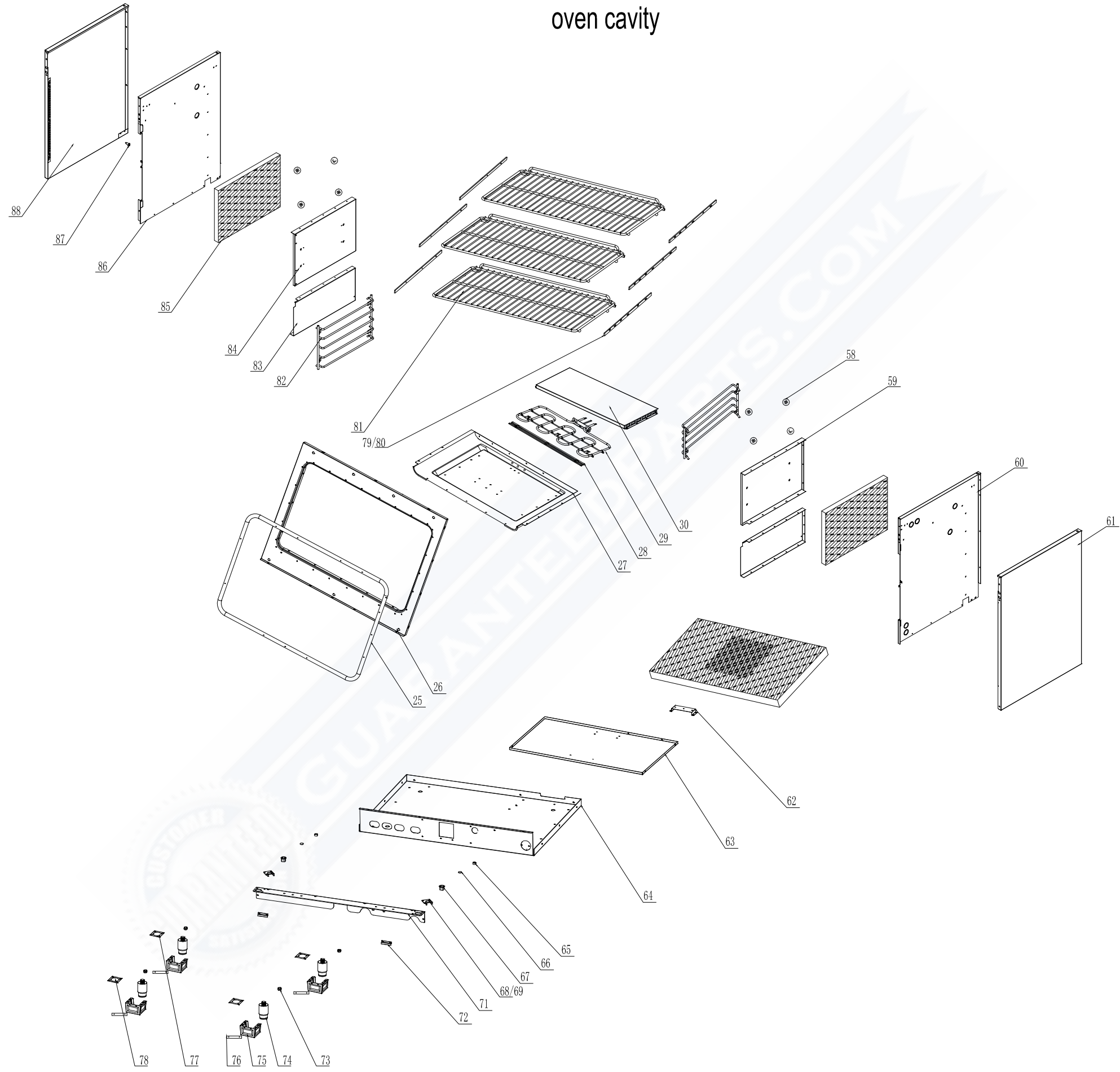
door



cavity back



oven cavity



FFSGS6387-30

No.	Material Name	Material Code	Qty.
1	Drawer panel G30R45	G30R45-120100	1
2	Handle left G18R43	G18R43-101900	1
3	Handle right G18R43	G18R43-101901	1
4	handle rubber mat G18R43	G18R43-100700	4
5	door outside plate-left G30R45	G30R43-100402	1
6	door outside plate-right G30R45	G30R43-100403	1
7	door outer glass black pressing plate G30R43	G30R43-101400-02	4
8	door outer glass G30R43	G30R43-101100	2
9	door insulation plate left G30R43	G30R43-100800	1
10	door insulation plate right G30R43	G30R43-100801	1
11	Handle strengthen bar G36R43	G36R43-100700	2
12	up/down frame body for door inside glass	G30R43-101500	4
13	left/right frame body for door inside glass	G36X03-101600	4
14	innder door glass G30R43	G30R43-100500	4
15	axis of rotation component left	G36R43-101300-Z	1
16	axis of rotation component right	G36R43-101301-Z	1
17	Door frame Left G30R43	G30R43-100602-Z	1
18	Door frame Right G30R43	G30R43-100603-Z	1
19	glass wool for door G30R43	G30R43-103500	2
20	drawer rubber mat G20A01	G20A01-120900	2
21	seal support for left door G30R44	G30R44-101000	1
22	supported seal part for left door G36R43	G36R43-102000	1
23	seal part for right door G36R43	G36R43-101100	1
24	supported seal part for right door G30R44	G30R44-102100	1
25	door seal bar G48R03	G48R03-071200	1
26	front plate component G30R43	G30R43-070100-Z	1
27	cavity down blue enameled plate C30X03	C30X03-070704-Z	1
28	heat element cushion plate C30X04	C30X04-080600	1
29	oven bottom heat elememt C30R05	C30R05-091200	1
30	oil baffle plate-X04-blue enameled C30X04	C30X04-215102	1
31	convection fan cover G20H08	G20H08-091701	1
32	square lamp G36X04	G36X04-180100	2
33	cavity blue enameled back plate C48R04	C48R04-070300	1
34	thermo-sensor fixed board G20A01	G20A01-031100	1
35	cavity back plate glass wool G30X03	G30X03-072900	1
36	cavity back insulation plate C30R03	C30R03-072200	1
37	ignition support (3)G36R03	G36R03-212300	1
38	ignition support (2) G48R03	G48R03-212300	1
39	Ignition G36R03	G36R03-170101	5
40	chimney outer plate C36R03	C36R03-074200	1
41	chimney component C36R03	C36R03-074100	1
42	chimney fixed support C36R03	C36R03-074300	3
43	back ventilation part	C30R04-075600	1
44	fan motor glass wool G36X03	G36X03-072800	1
45	fan motor baffle plate C36A01	C36A01-073100	1

46	safety valve big support G36X03	G36X03-076600	1
47	Convection fan G20A01	G20A01-091501	1
48	regulator G36X03	G36X03-034000	1
49	pressure adjustable valve fixed support G36X03	G36X03-034500	1
50	cavity back gas manifold G36X03	G36X03-030801	1
51	3/4" corrugated pipe 170mm G36X03	G36X03-215300	1
52	power cord terminal E20F01	E20F01-106400	1
53	power cord #14	G20A14-160100	1
54	bottom fixed plate for baffle plate C30R05	C30R05-072400	1
55	baffle plate C30X03	C30X03-072001	1
56	anti-tip support X01 series G36X01	G36X01-212501	1
57	anti-wall rubber mat G36X03	G36X03-212600	2
58	side rack protect cover G36X03	G36X03-073900	8
59	cavity top right side blue enameled plate G36R04	G36R04-070500-Z	1
60	right outside plate inside component	G36R43-071101-Z	1
61	right outside plate G30R45	G30R45-071001	1
62	cavity down heat element ground support	C36X04-080700	1
63	drawer insulation plate C30X04	C30X04-072100	1
64	bottom plate G30R43	G30R43-071800	1
65	rotate axis coat G48R43	G48R43-002200	2
66	French door gasket	G36R43-002300	2
67	adjustable bottom base	G36R43-002100	2
68	bottom rotate fixed part left G36R43	G36R43-032000-Z	1
69	bottom rotate fixed part right G36R43	G36R43-032001-Z	1
70			
71	Door down connection plate G30R43	G30R43-985600-02	1
72	drawer fixed plate G30R45	G30R45-120200	2
73	leg round fixed screw	BZ-000000912	4
74	oven leg G36X03	G36X03-071500	4
75	leg cover	G36X01-071600	4
76	leg cover fixed plate	G48R04-071816	4
77	back left/right foot fixed part	G48R04-071811	2
78	front left/right foot fixed part	G48R04-071813	2
79	slide rail L X01 series G36X01	G36X01-120700	3
80	slide rail R X01 series G36X01	G36X01-120701	3
81	baking rack stainless steel	G30R05-071901	3
82	side rack G36X01	G36X01-073801	2
83	cavity down side plate G36X03	G36X03-070400	2
84	cavity top left side blue enameled plate G36R04	G36R04-070501	1
85	cavity top left glass wool G36X03	G36X03-073300	2
86	left outside plate inside component	G36R43-071100-Z	1
87	screw for anti-tip step G36X03	G36X03-111000	1
88	left outside plate G30R45	G30R45-071000	1
89	back heat element C20A01	C20A01-091602	1
90	broil heat element (inside+outside) C36R05	C36R05-091000	1
91	heat element cushion plate C36X04	C36X04-080600	1
92	front panel strip G30X03	G30X03-214500	1

93	30" cavity top plate component-R05	C30R05-070600-Z	1
94	30" cavity bottom plate glass wool-X01	G30X01-036000	2
95	30" cavity structure frame glass wool	G30X03-070800	1
96	cavity insulation plate C30R43	C30R43-074500	1
97	heat dissipation wind board support	C30R43-075200	1
98	heat dissipation wind board	C30R43-075000	1
99	Right side plate for wind board C30R05	C30R05-075100	1
100	Left side plate for wind board C30R05	C30R05-075200	1
101	Thermo-controller 140°C E24F01	E24F01-076200	1
102	Thermo-controller 50°C C36R05	C36R05-076200	1
103	cooling fan fixed support C36X04	C36X04-075400	2
104	cooling fan C36R05	C36R05-200900	1
105	fan heat insulation cover C36X04	C36X04-075300	1
106	harness C30R44	C30R44-180300	1
107	plastic wire hook	G36R03-160200	4
108	knob for oven temperature setting C36R05	C36R05-030101	1
109	knob for oven function C36R05	C36R05-030105	1
110	knob for double gas outlet G36R04	G36R04-030101	5
111	knob ring for thermostat G36R04	G36R04-030201	2
112	knob ring for main gas valve G36R04	G36R04-030202	5
113	knob shining PCB G36R04	G36R04-031000	7
114	Round press button G36R45	G36R45-170200	1
115	LED light switch plug G36X04	G36X04-171000	1
116	Round press button G36R43	G36R43-170200	2
117	red indicator G36X03	G36X03-031000-7	1
118	Door top connection plate G30R43	G30R43-022300-02	1
119	Copper bush G36R43	G36R43-130100	2
120	pressing plate G36R43	G36R43-057600	2
121	chain with screw component	G36R43-110001	1
122	red LED light G36X04	G36X04-031000-7	7
123	control panel C30R44	C30R44-032300-Z	1
124	cavity thermostat installation support component	C30R44-030500-Z	1
125			
126	cooktop front support G30R43	G30R43-022100	1
127	Cooktop valve 0.68+0.27 C36R04	C36R04-030400	5
128	control panel main gas pipe C30R45	C30R45-030700	1
129	R/F support Al.pipe G36R03	G36R03-020600	2
130	R/F main Al.pipe G36R03	G36R03-020500	2
131	R/R support Al.pipe G48R04	G48R04-020500	2
132	R/R main Al.pipe G48R04	G48R04-020600	1
133	R/R main Al.pipe G30R04	G30R04-020600	1
134	Middle support Al.pipe G30R05	G30R05-020300	1
135	Middle main Al.pipe G30R05	G30R05-020200	1
136	thermo-control component switch C36R05	C36R05-030900	1
137	switch 5+0 C36R05	C36R05-170800	1
138	20,000btu burner cup	G36R03-040301	5
139	20,000BTU brass burner base	G36R03-040302	5

140	20,000btu inner burner cap	G36R03-040203	5
141	20,000btu outer burner cap	G36R03-040204	5
142	top burner spark plug 400 G36R04	G36R04-170505	2
143	top burner spark plug 700 G36R04	G36R04-170501	3
144	cooktop back support G30X03	G30X03-022000	1
145	Cooktop plate G30R04	G30R04-020100	1
146	cast iron grates G30R04	G30R04-021500	2
147	pan support G48R03	G48R03-021400	1
148	cooktop back connection plate G30R04	G30R04-073600	1
149	backsplash board G30R04	G30R04-011500-Z	1
150	backsplash bolt G36X03	G36X03-110800	2
151	LED light transformer G36R04	G36R04-180305	1
152	wires for LED light transformer G36R45	G36R45-180301	1
153	30" wires for LED light-R05	C30R05-180302	1
154	wires for knob LED light	C30R45-180303	1
155	roasted axis support	G20A01-200700	1
156	roastisserie rod 618mm	G36R03-200501	1
157	roastisserie fork	G20A01-200601	2
158	Roastisserie motor G20A01	G20A01-200101	1
159	control panel top support left	G30R43-071500	1
160	control panel top support right	G30R43-071501	1
161	cooktop front support part G36R43 left	G30R44-022200	1
162	cooktop front support part G36R43 right	G30R44-022201	1
163	pressing plate for copper bush	G30R43-057600	2
164	door seal bar G36R43	G36R43-071200	1
165	door outer glass black pressing plate G30R45	G30R45-101400-02	4

GUARANTEE

